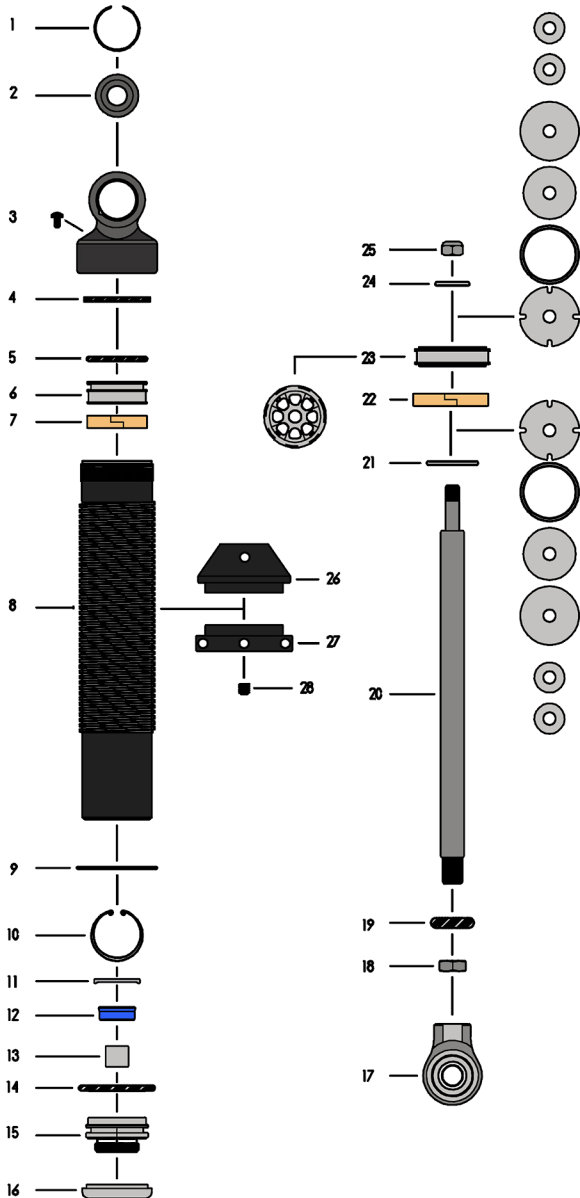


# 12 SERIES



Drawing #	Description	12
8	12 series 6" body	12-9090-1-6
8	12 series 7" body	12-9090-1-7
17	Shock Eye Assy	12-9090-5
18	Jam nut	12-9090-6
20	6" Shaft	12-9090-4-6
	7" Shaft	12-9090-4-7
19	Travel Indicator	12-9090-4-2
	Glands Body Assy with threaded ring	12-9090-2T
16	Threaded Ring	12-9090-2-11
13	Du Bushing	12-9090-2-3
12	Seal	12-9090-2-2
11	Alum Washer	12-9090-2-4
10	Snap Ring	12-9090-2-5
14	O-Ring x 2 plc	12-9090-2-9
9	Circlip 063	12-9090-3
21	Stop Washer	20-9090-8
23	Piston Standard	12-9090-21
	Piston Hybird	12-9090-22
22	Wearband main piston	12-9090-10
24	Break Washer	20-9090-9
25	8 mm Nut	20-9090-12
	Divider Piston Body Assy std	12-9090-13
5	Divider O Ring	12-9090-13-2
7	Wearband divider	12-9090-13-3
	End Cap Body Assy/com and screw	12-9090-15
5	Square O-Ring	12-9090-14-1
3	Hyper Screw	20-9090-14-3
	Coil Over Kit Assy	12-9090-16
26	Coil Over Kit Shaft Cup	12-9090-16-1
27	Coil Over Kit Threaded Ring	12-9090-16-2
28	Set Screw 1/4-20	12-9090-16-3
	Shims	
	Break 14 x 50	20-9090-7-A
	Break 15 x 50	20-9090-7-K
	Break 16 x 50	20-9090-7-B
	Break 17 x 50	20-9090-7-C
	Break 18 x 50	20-9090-7-D
	Per Load 18 x 10	20-9090-7-D.1
	Break 19 x 50	20-9090-7-L
	Break 20 x 50	20-9090-7-E
	Center 25.3 x 15	12-9090-7-C15
	Ring Shim 25.3 x 63	12-9090-7-R025
	Cover Shim 28 x 15	12-9090-7-A15
	Cover Shim 28 x 20	12-9090-7-A20
	Cover Shim 28 x 30	12-9090-7-A30
	Cover Shim 28 x 35	12-9090-7-A35
	Bleed Shim 4 bleed x 20 x 2mm wide slot	12-9090-7-B20