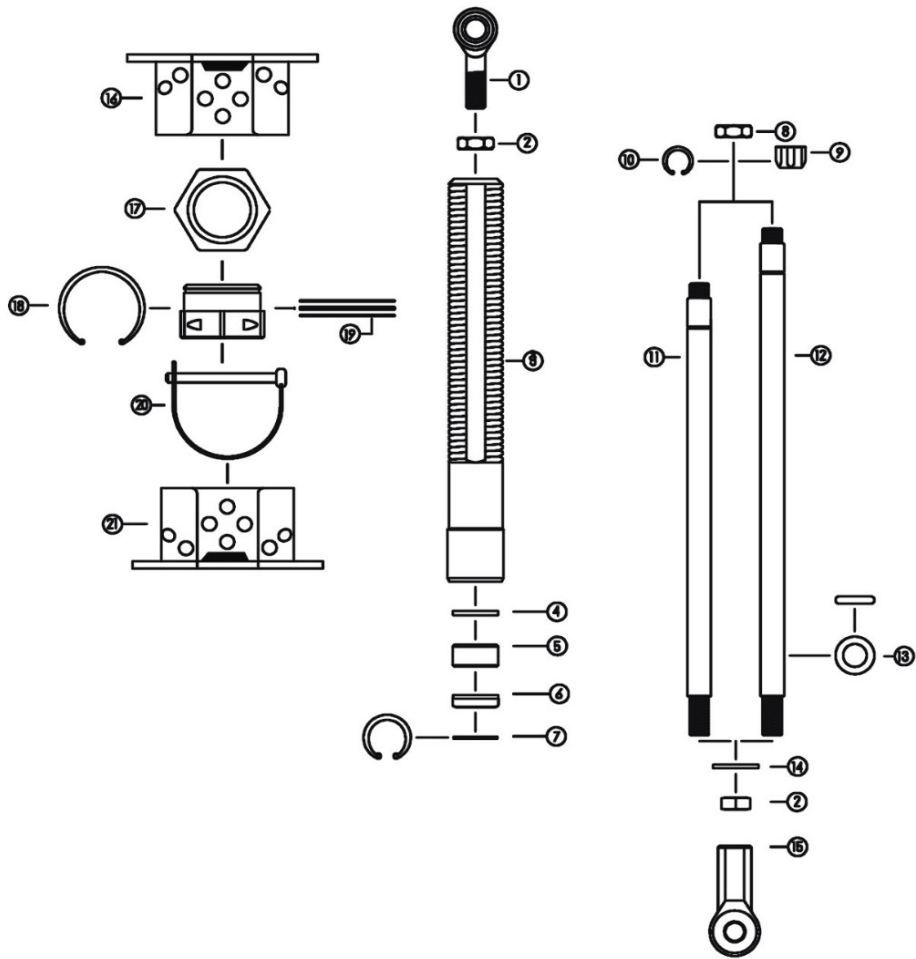
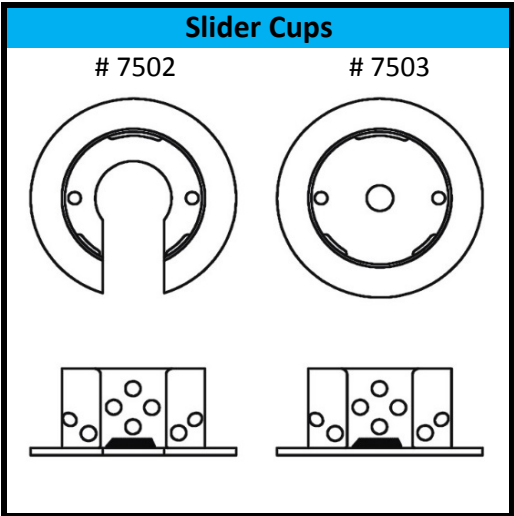
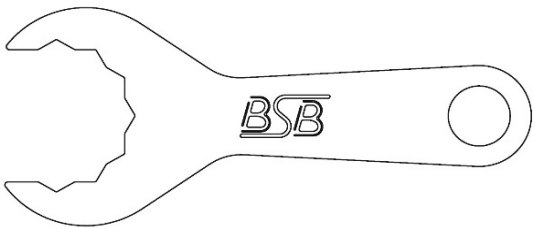


7500 Spring Slider



Number	Part Number	Name
1	7522	Rod End male
2	7523	Jam Nut
3	7501-11	Body thd
4	7520	Washer
5	7508	Bearing
6	7509	Seal
7	7513	Snap Ring
8	7527	Lock Nut
9	7512	Plunger
10	7514	Snap Ring
11	7504-2	Shaft (std)
12	7504-2	2" Longer Shaft
13	7519	O-Ring (travel)
14	7524	Washer
15	7521	Rod End (fm)
16	7502	Cup (body side)
17	7506	Adj. Nut
18	7540-11	Snap Ring
19	7540-21	Thrust Bear Set
20	7515	Lynch Pin
21	7503	Cup (shaft)

7510 Wrench





7500 Spring Slider Instructions

- 1 Every 3 to 4 weeks remove 1/2 male rod end from bottom of threaded tube and flush with clean solvent.
- 2 Pull Shaft out, put clean oil on shaft and work shaft in and out to lube the seal.
- 3 Add 1 tablespoon of 30w Mobil 1 synthetic Motor oil, (**DO NOT USE GREASE, WD-40 OR ANTISEAZE TO SHAFT AS IT WILL CAUSE BEARING FAILURE.**) Install male rod end with Teflon tape on it to prevent leaking.

BSB MFG will rebuild / repair all Outlaw sliders for the cost of replacement parts.

Replacement parts or kit numbers.

7518 std kit:

#7518-2 rebuild kit 2" longer:

Kit includes:

7518		7518-2	
Name	Part #	Name	Part#
Bearing	7508	Bearing	7508
Seal	7509	Seal	7509
Shaft	7504	Shaft	7504-2
Plunger	7512	Plunger	7512
Snap ring	7514	Snap ring	7514
Snap ring	7513	Snap ring	7513
Travel ind.	7519	Travel ind.	7519
Lock nut	uni-1/2-20	Lock nut	uni-1/2-20

Shaft Length

How to determine shaft length in a slider is done by the measurement below this is called the chrome length of the shaft. Also you can measure the length of the shaft by measuring the shaft sticking out of the slider body, 7500 is 9.500 and the 7500-2 is 10.75 long.

